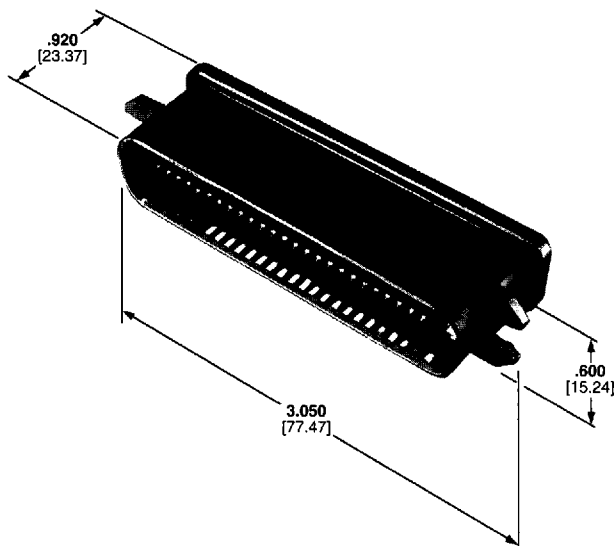
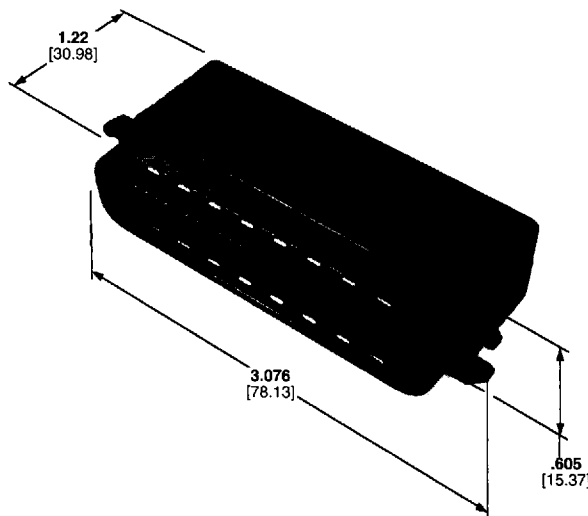


AMP Terminators for SCSI-1, -2 Low Density Narrow

Die-Cast Connector



Post Molded Connector



CHAMP Terminators, Shielded, Plugs

Material and Finish:

Die-Cast Terminator—

Shell and Cap—Zinc alloy, nickel plated

Insulator—UL 94V-0 rated thermoplastic, black

Post Molded Terminator—

Housing—Polyphenylene, black

Shield—Steel, plated bright nickel
Post Molding Compound—PVC, black

Contacts—Phosphor bronze, duplex plated .000030 [0.00076] min. gold in mating area, over .000050 [0.00127] min. nickel underplating

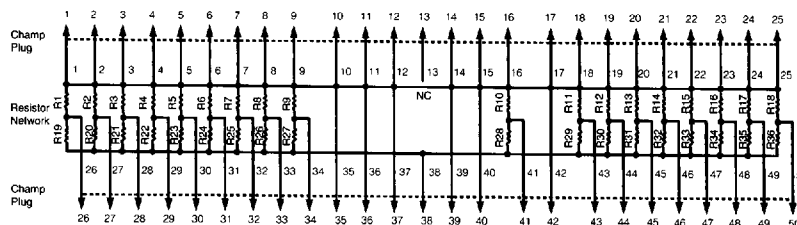
Resistors—Thick film resistor composition on alumina substrate

Product Data:

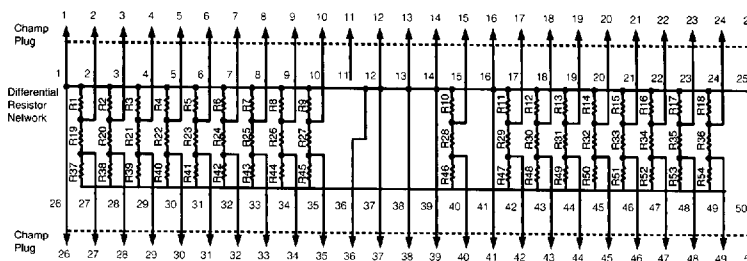
Mating Force—35 lb. [15.9 kg] max.

Unmating Force—5 lb. [2.3 kg] min.

Durability—200 mating cycles



Single-Ended Schematic



Differential Schematic

Configuration	Part No.
Die Cast Single-Ended	868875-1
Die Cast Differential	868875-2
Post Molded Single-Ended	55678-1
Post Molded Differential	555867-1